

**J. BARNESLEY**  
**Cranes Limited**

Pneumatic Hoists  
Mini Chain Hoists

TCR-250

TCR-500/2

# MINI CHAIN HOIST

## STANDARD FEATURES

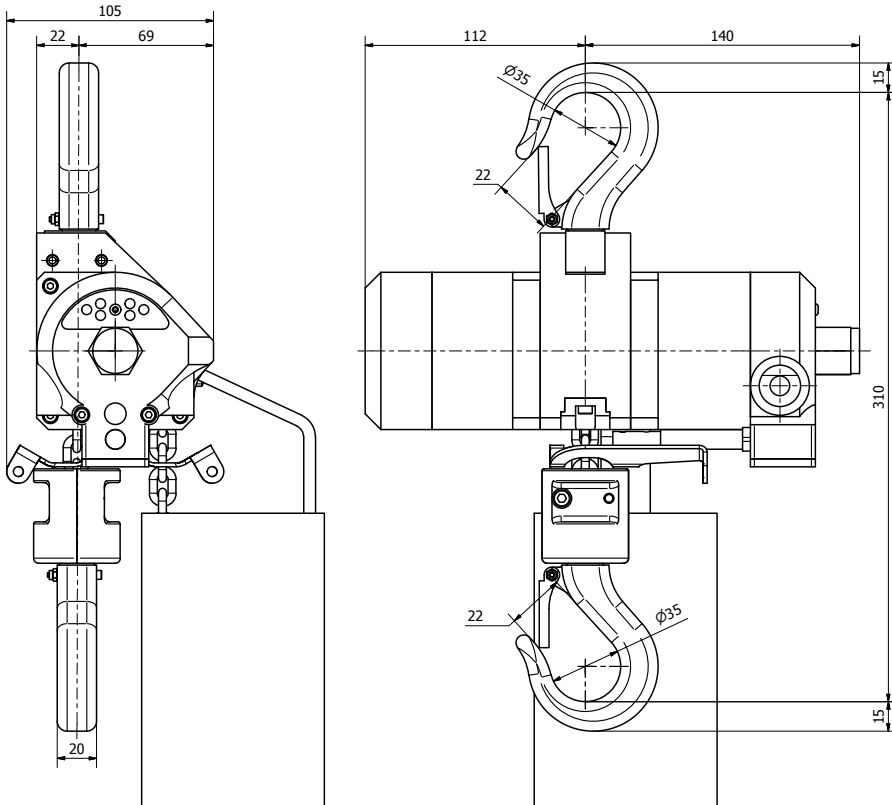
- ▷ Compact and lightweight body
- ▷ Toku rotary vane motor
- ▷ Robust epicycle gearbox
- ▷ Failsafe automatic internal disc brake
- ▷ Mechanical upper & lower switches
- ▷ Aluminium housing
- ▷ Internal silencing down to 80 dB(A)
- ▷ Alloy safety swivel hooks with safety catch
- ▷ Load chain 4 x 12mm of European manufacture to EN818-7

## AVAILABLE OPTIONS

- ▷ Marine specification
- ▷ Special paint systems
- ▷ Corrosion protection
- ▷ ATEX specification
- ▷ Chain collectors (PVC, galvanised or stainless steel)
- ▷ Air Service units
- ▷ Festoon systems
- ▷ Radio control
- ▷ Main air shut off valve

MODEL	WLL	LIFTING SPEED WITH LOAD	LIFTING SPEED WITHOUT LOAD	LOWERING SPEED WITH LOAD
TCR-250	250 kg	9.3 m/min	19.0 m/min	17.9 m/min
	AIR CONSUMPTION LIFTING	AIR CONSUMPTION LOWERING	AIR CONNECTION	MINIMUM HOSE DIA.
TCR-250	13 l/sec	15 l/sec	1/2" BSP	1/2" HOSE
	CHAIN FALLS	WORKING PRESSURE	WEIGHT WITH 3M HOL	WEIGHT PER ADDITIONAL METRE HOL
TCR-250	1	6 bar	7.0 kg	0.35 kg

C = CORD CONTROL      DPE = PENDANT



All measurements are in mm  
Information subject to change without notice



Image for illustration purposes only

**TCR-250**

## MINI CHAIN HOIST

### STANDARD FEATURES

- ▷ Compact and lightweight body
- ▷ Toku rotary vane motor
- ▷ Robust epicycle gearbox
- ▷ Failsafe automatic internal disc brake
- ▷ Mechanical upper & lower switches
- ▷ Aluminium housing
- ▷ Internal silencing down to 80 dB(A)
- ▷ Alloy safety swivel hooks with safety catch
- ▷ Load chain 4 x 12mm of European manufacture to EN818-7

### AVAILABLE OPTIONS

- ▷ Marine specification
- ▷ Special paint systems
- ▷ Corrosion protection
- ▷ ATEX specification
- ▷ Chain collectors (PVC, galvanised or stainless steel)
- ▷ Air Service units
- ▷ Festoon systems
- ▷ Radio control
- ▷ Main air shut off valve

MODEL	WLL	LIFTING SPEED WITH LOAD	LIFTING SPEED WITHOUT LOAD	LOWERING SPEED WITH LOAD
TCR-500/2	500 kg	4.6 m/min	9.5 m/min	9.0 m/min
	AIR CONSUMPTION LIFTING	AIR CONSUMPTION LOWERING	AIR CONNECTION	MINIMUM HOSE DIA.
TCR-500/2	13 l/sec	15 l/sec	1/2" BSP	1/2" HOSE
	CHAIN FALLS	WORKING PRESSURE	WEIGHT WITH 3M HOL	WEIGHT PER ADDITIONAL METRE HOL
TCR-500/2	2	6 bar	9.0 kg	0.7 kg

C = CORD CONTROL      DPE = PENDANT

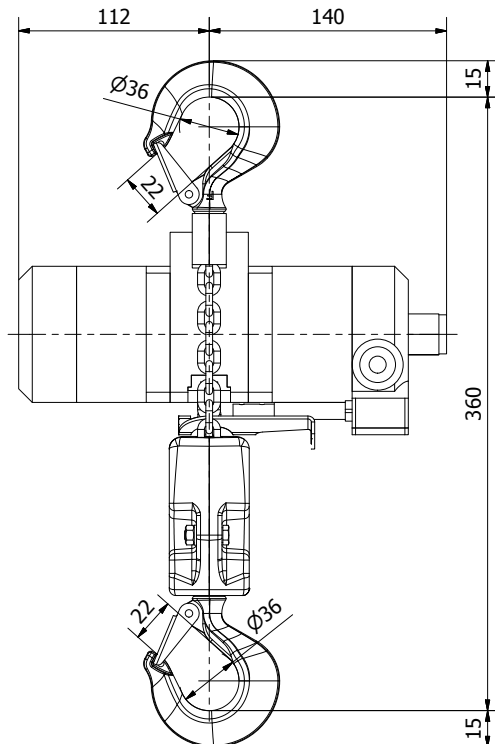
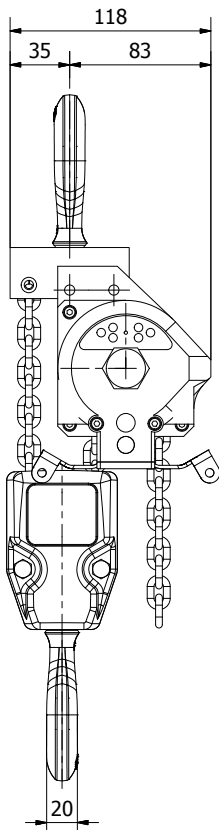


Image for illustration purposes only

All measurements are in mm  
Information subject to change without notice

TCR-500/2